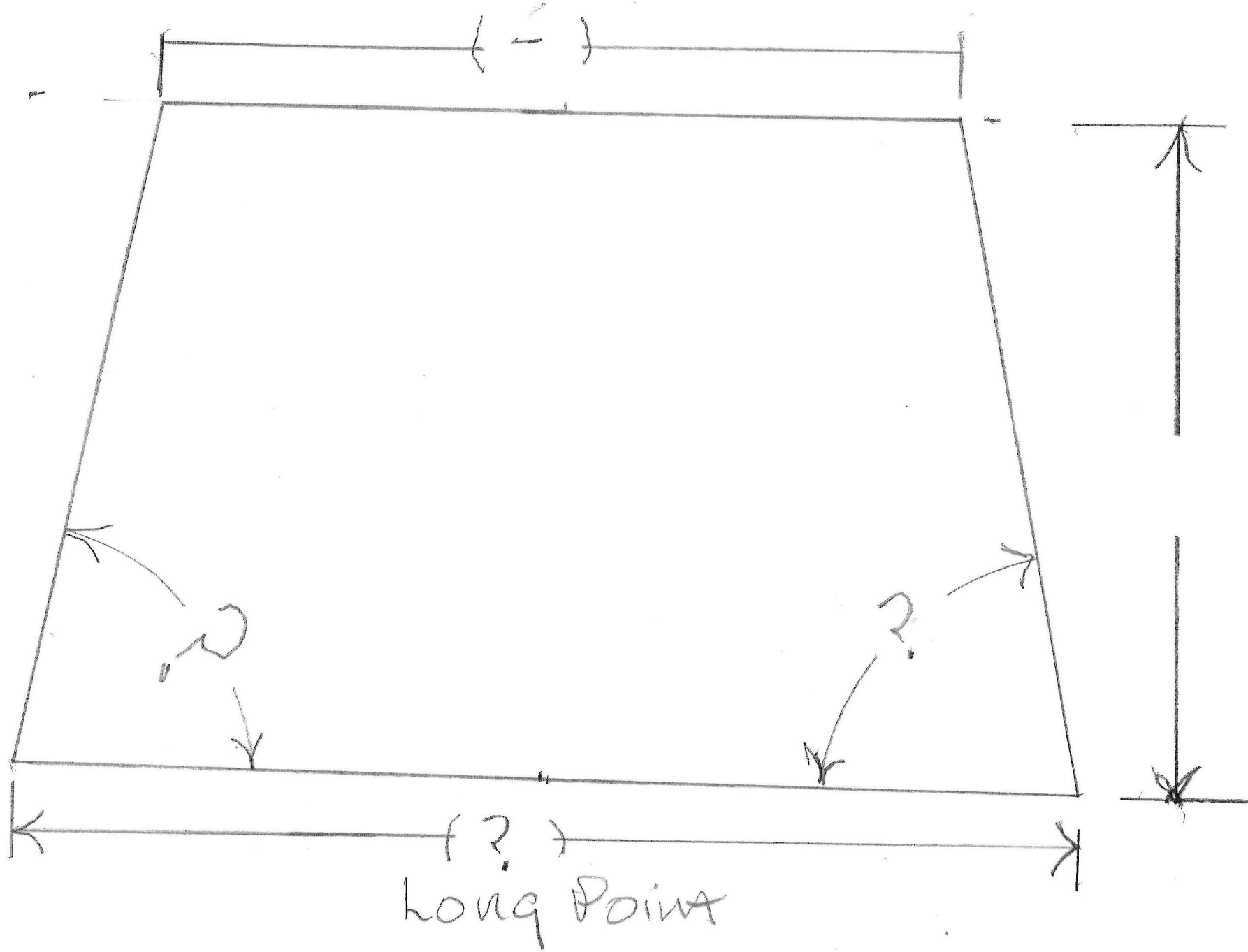


①

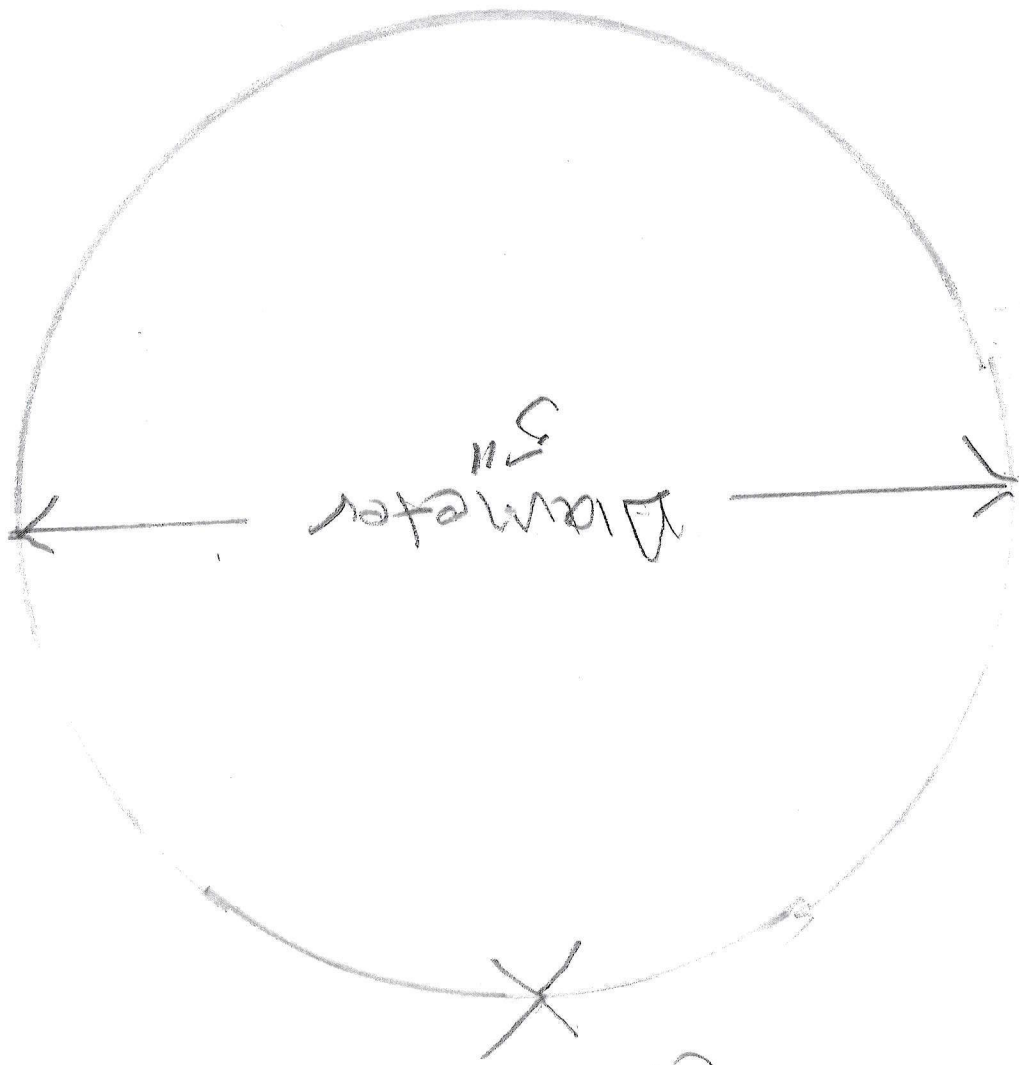
Short Point



2

TT or 3.14

$$\text{Diameter} \times 3.14 = \text{Circumference } 15.7$$



Circumference 15.7

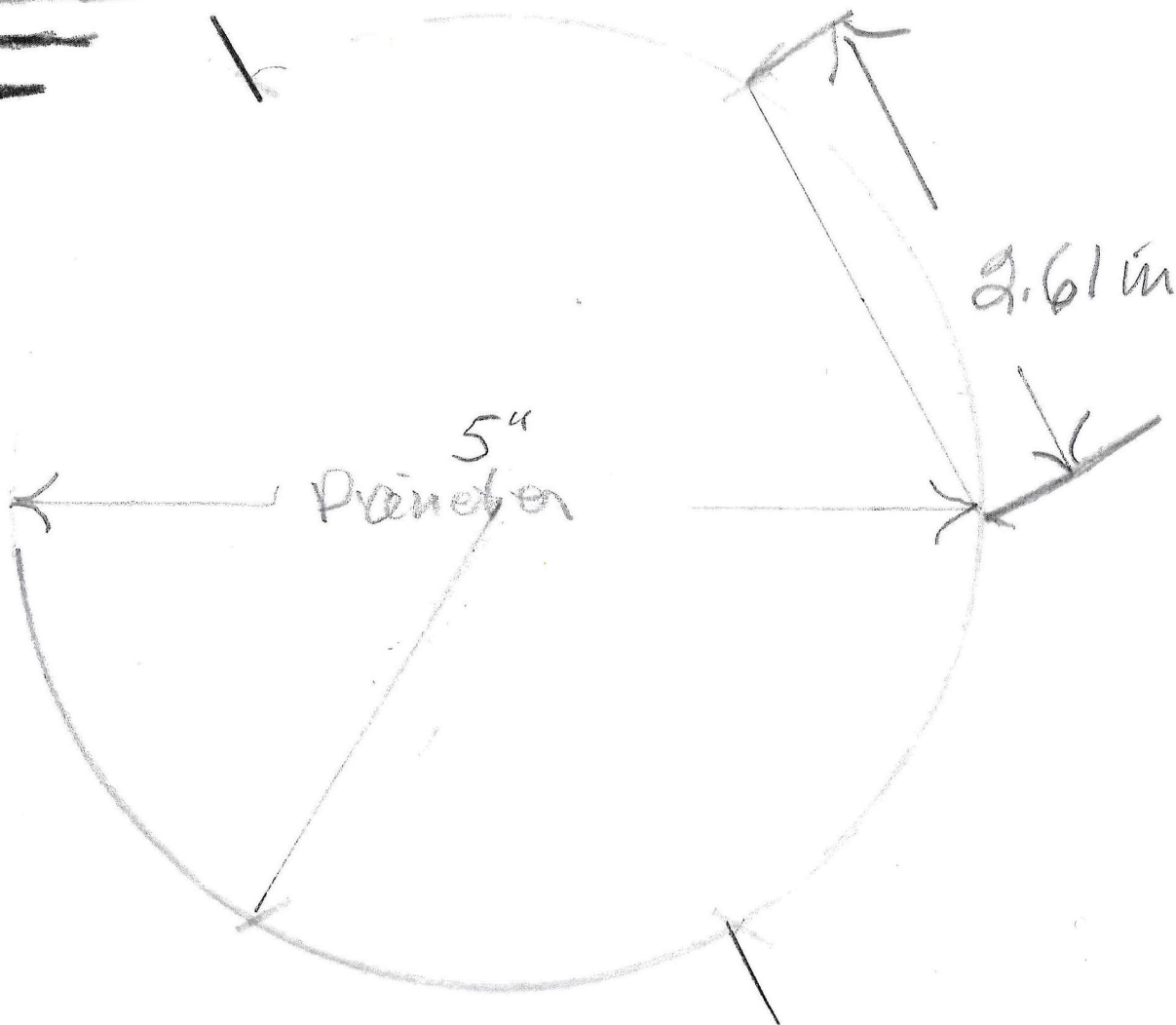
---

$$3.14 \times \text{Dia} = \text{Circumference}$$

3

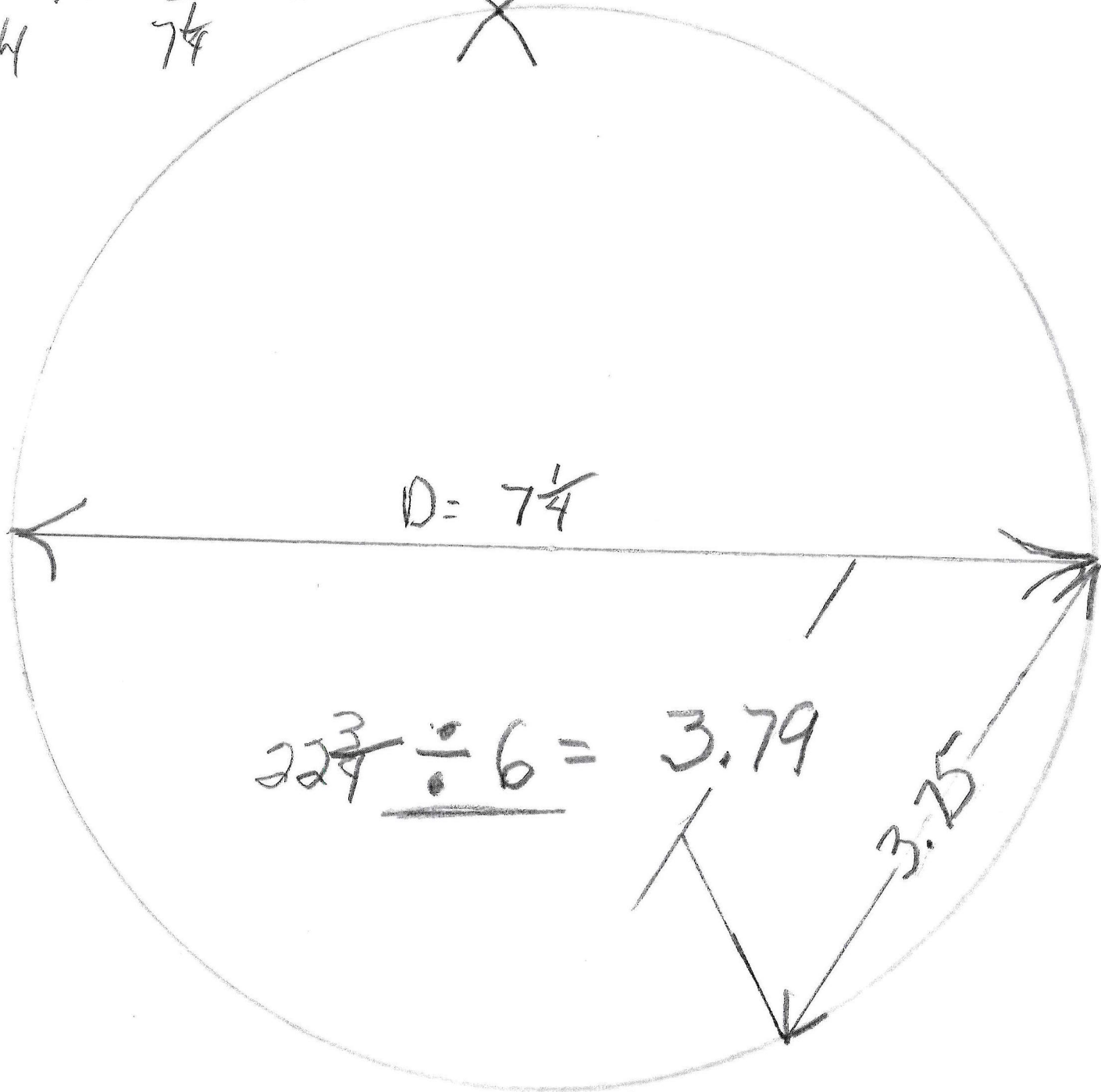
$$\text{Circumference} \div \frac{\text{Number}}{\text{Segments}} = \text{Long Point Length}$$

Given  $\boxed{15.7} \div 6 = 2.61$



$$\pi \times \frac{D}{4} = 22.765 \text{ or } 22\frac{3}{4}$$

5



$$22\frac{3}{4} \div 6 = 3.79$$

5A

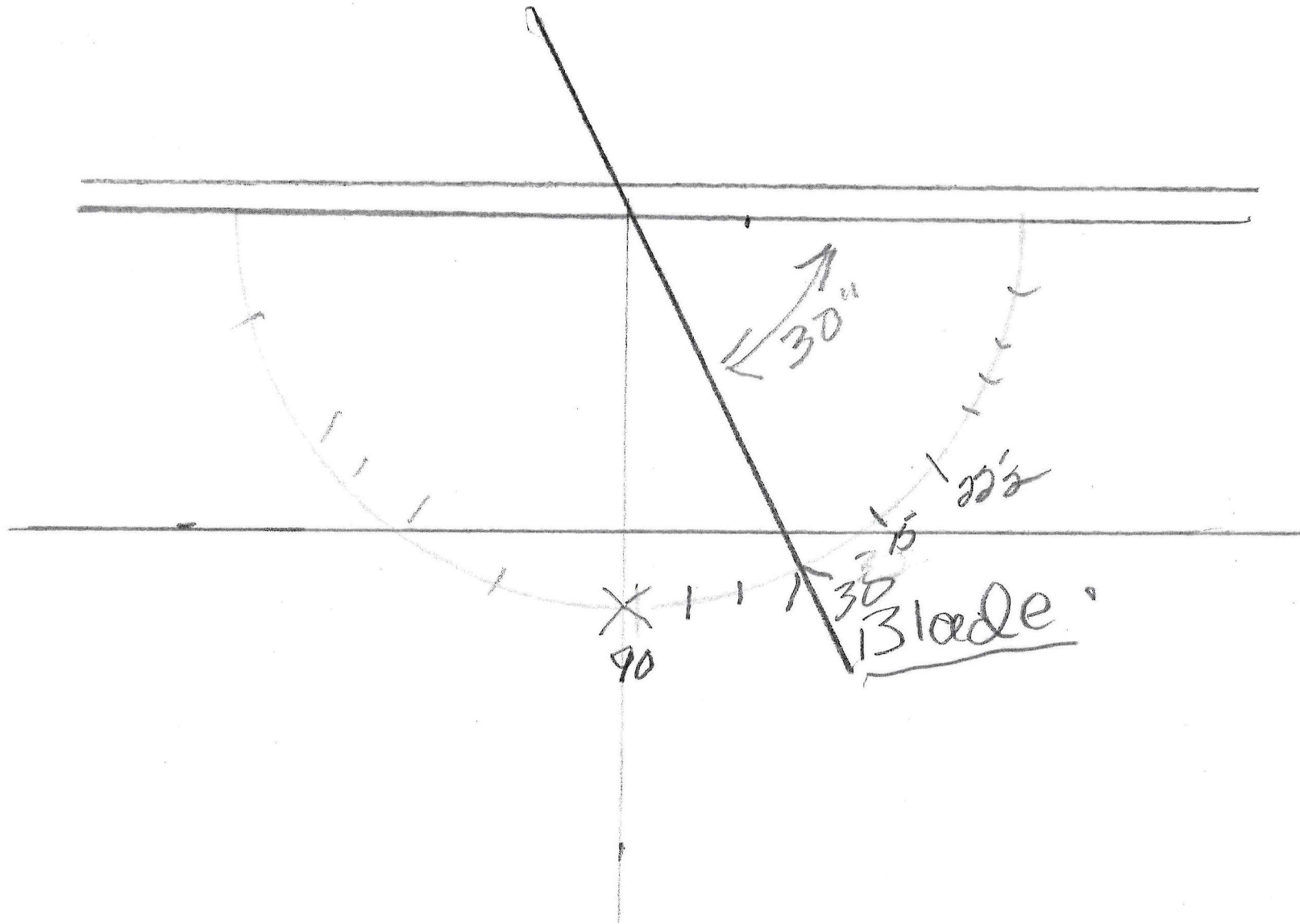


Round up to  
nearest  $\frac{1}{4}$ "

25, 50, 75

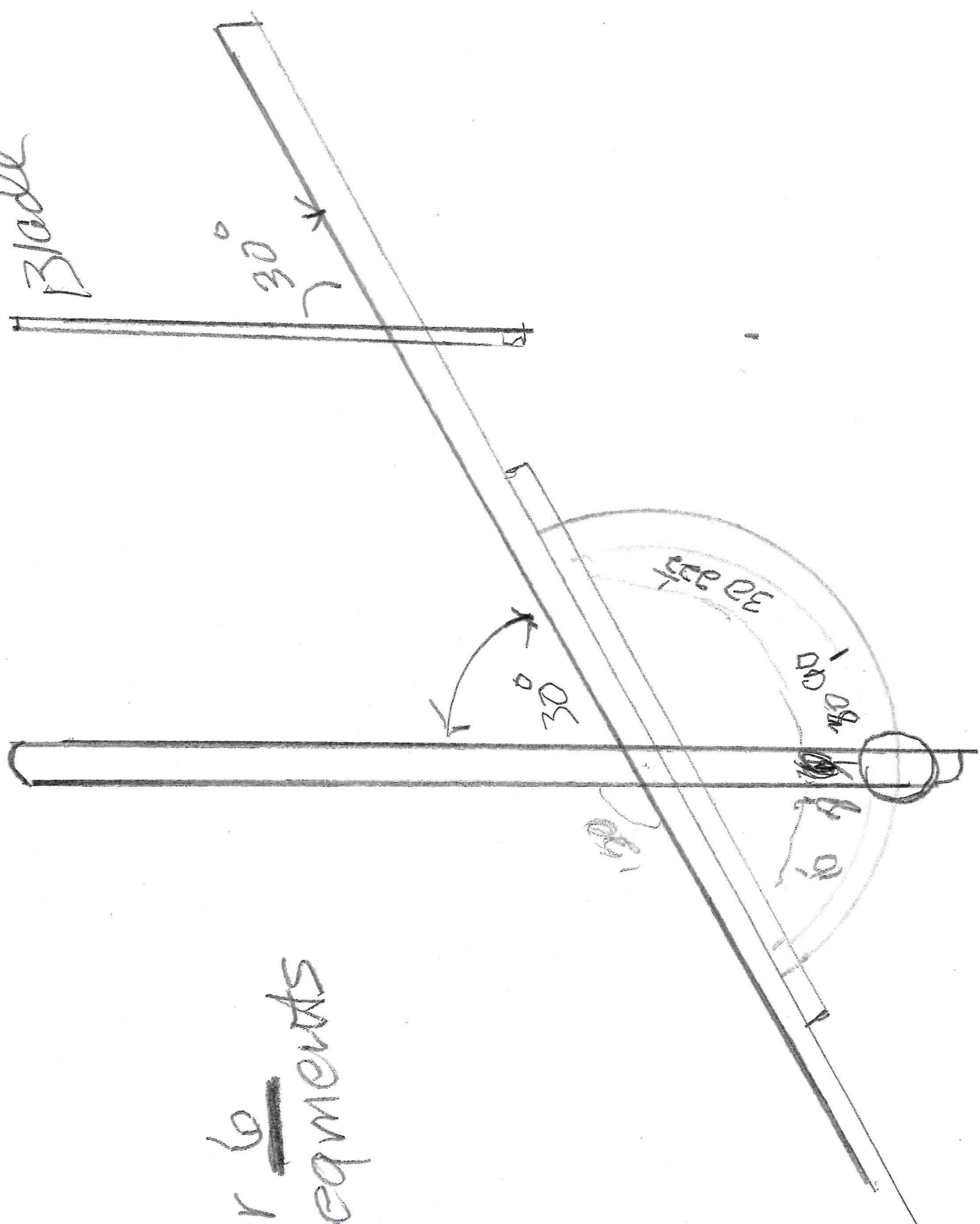
# Cutting Segment w Miter Saw For 6 segments

6



7

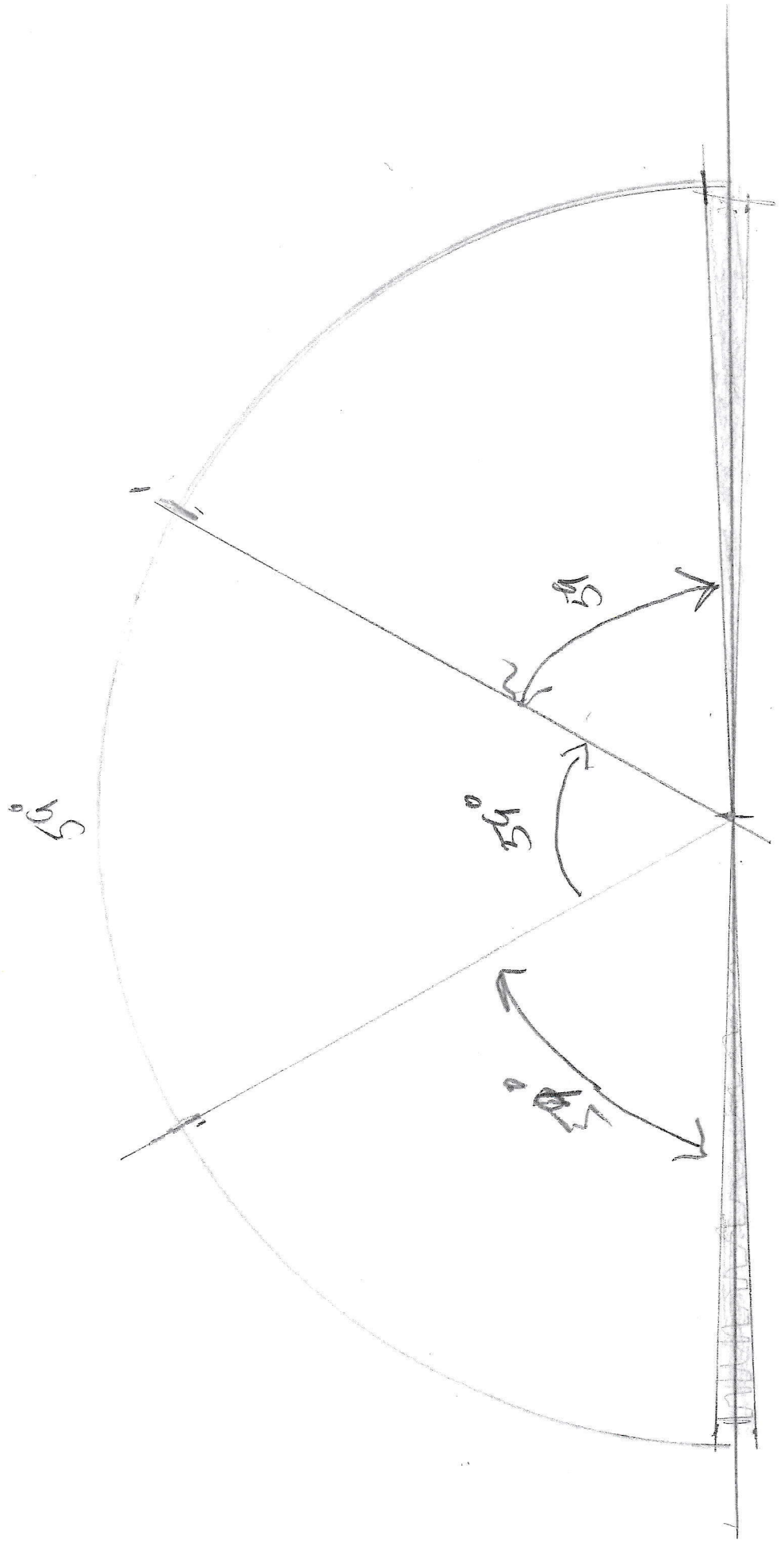
Blade



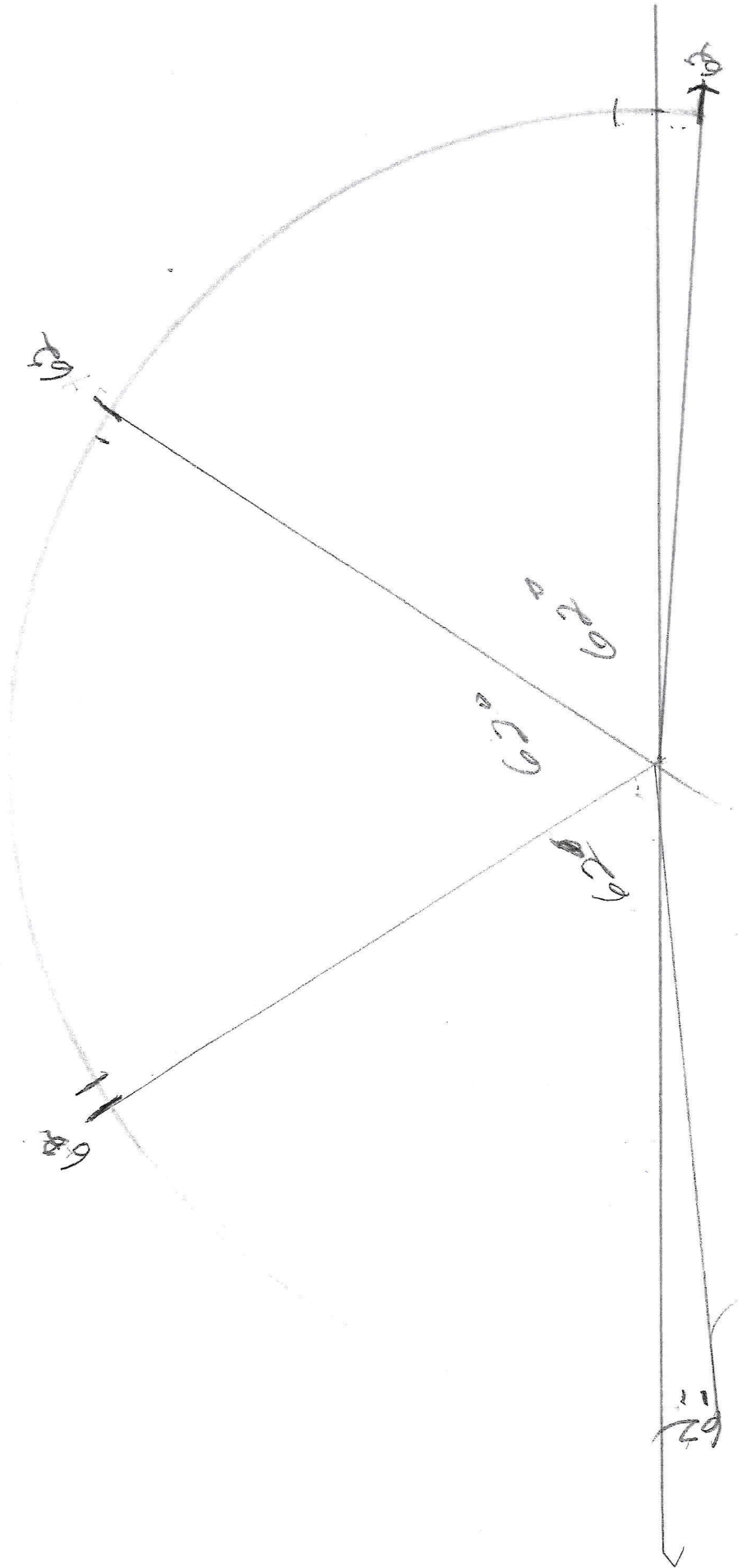
For 6 segments



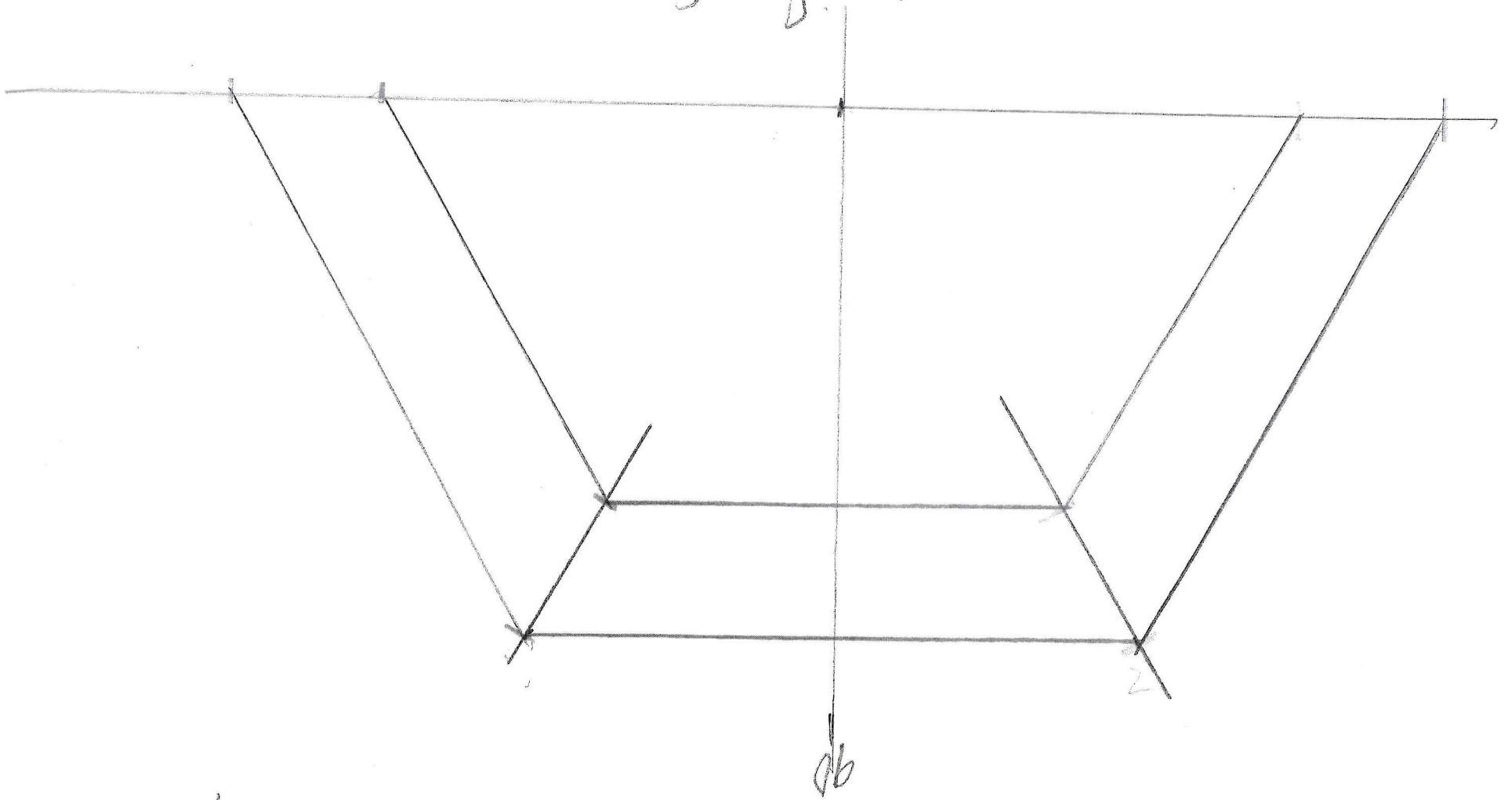
8



6



Verkleid



01

06

2

small  
4-6 6 Segment Ring  $30^\circ$  setting

med  
6-8 8 Segment Ring  $22\frac{10}{8}$  setting

8-12  
young 12 Segment Ring  $15^\circ$  setting

16 Segment Ring  $11\frac{1}{4}$  setting